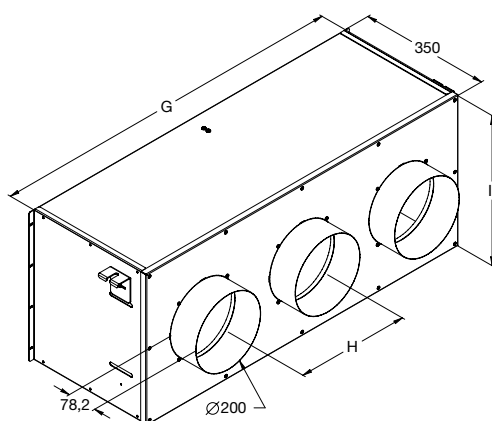


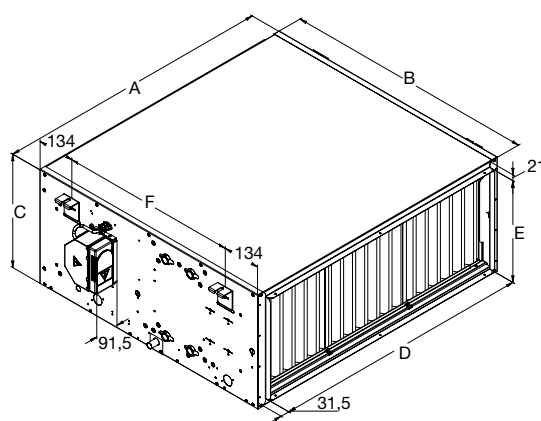


## Dimensions [mm] EBH UNIT

Model	A	B	C	D	E	F	G	H	I	Connections	Spigots
<b>020+030</b>	990	902	408	927	366	634	963	307	404	G 1/2" F	3
<b>040+050</b>	1240	902	408	1177	366	634	1213	300	404	G 1/2" F	4
<b>060+070</b>	1635	1160	518	1572	476	892	1608	311	514	G 1" M	5



OPTIONAL PLENUM



## Dimensions [mm] EDS UNIT

Model	A	B	C	D	E	F	G	H	I	Connections
<b>004</b>	882	742	924	390	799	250	855	306	798	G 3/4" M
<b>006+008</b>	1007	867	1049	390	924	250	855	306	798	G 3/4" M
<b>020+030</b>	1132	992	1174	440	1049	300	855	357	798	G 3/4" M
<b>040+050</b>	1382	1242	1424	440	1299	300	855	357	798	G 3/4" M
<b>060+070</b>	1777	1637	1819	550	1694	410	1030	467	978	G 1" M

