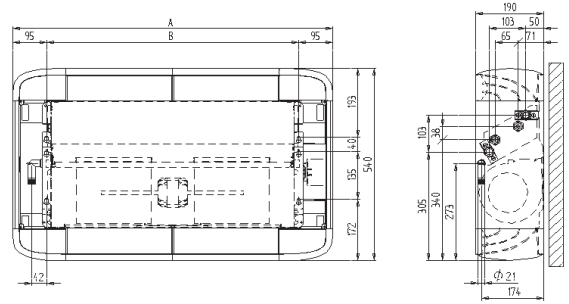
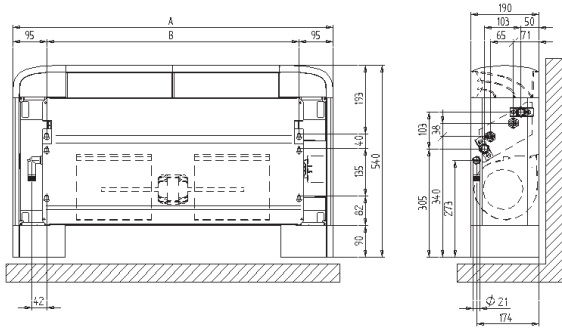


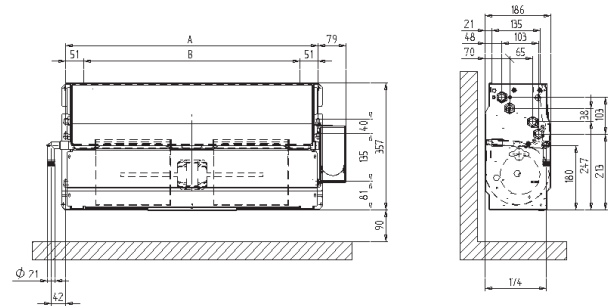
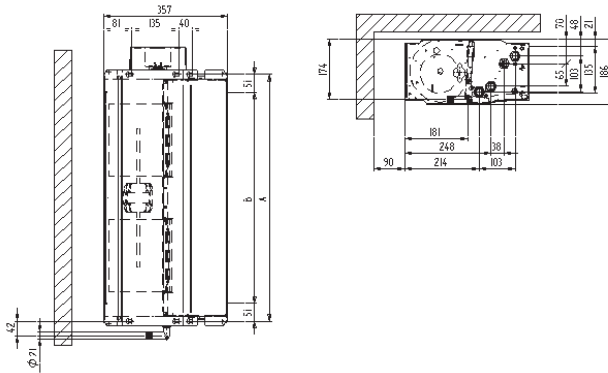
# dimensions



mod. ESF



mod. ESW



mod. ECV



mod. ECH

## General dimensions for ESF

	10	20	30	40
<b>A</b>	900	900	1200	1200
<b>B</b>	710	710	1010	1010
<b>kg</b>	19	19	27	27

## General dimensions for ECV – ECH

	10	20	30	40
<b>A</b>	710	710	1010	1010
<b>B</b>	609	609	909	909
<b>kg</b>	14	14	20	20

## General dimensions for ESW

	10	20	30	40
<b>A</b>	900	900	1200	1200
<b>B</b>	710	710	1010	1010
<b>kg</b>	20	20	29	29